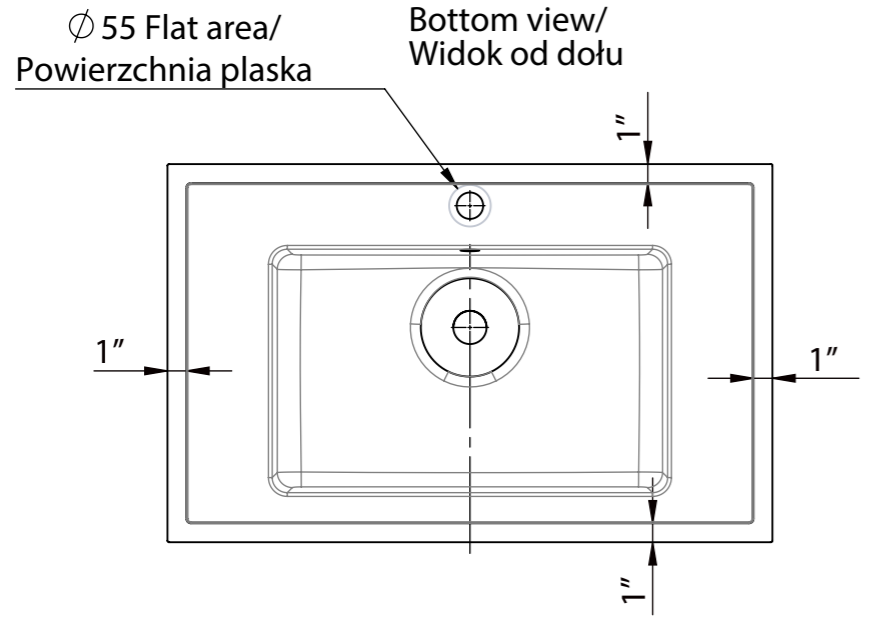
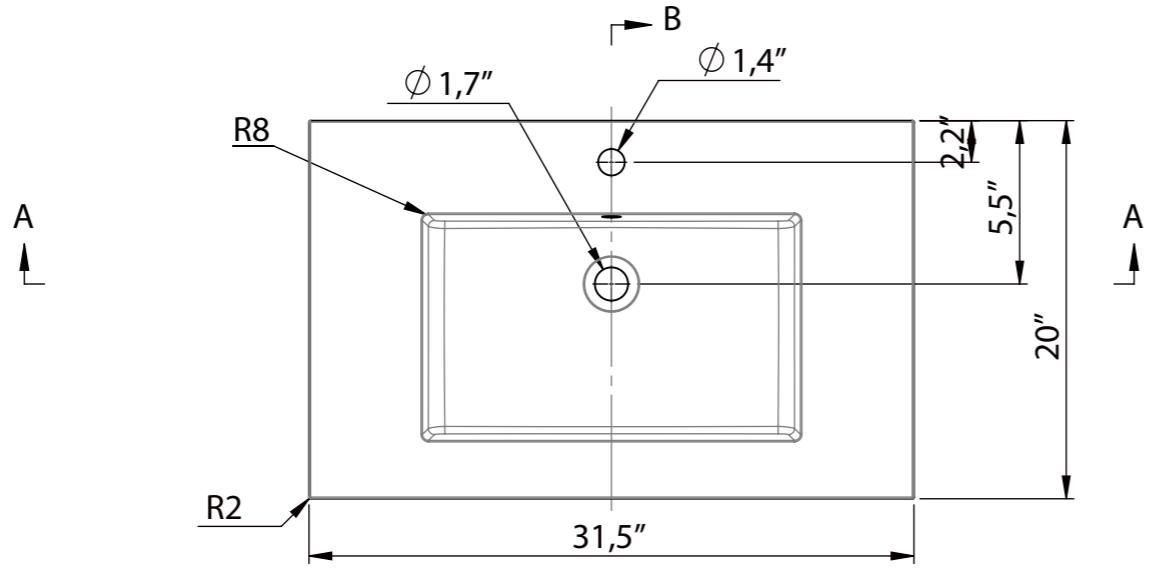
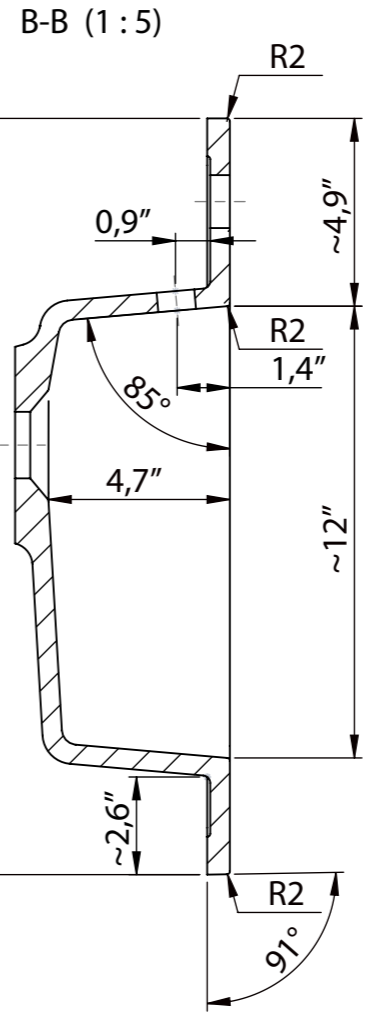
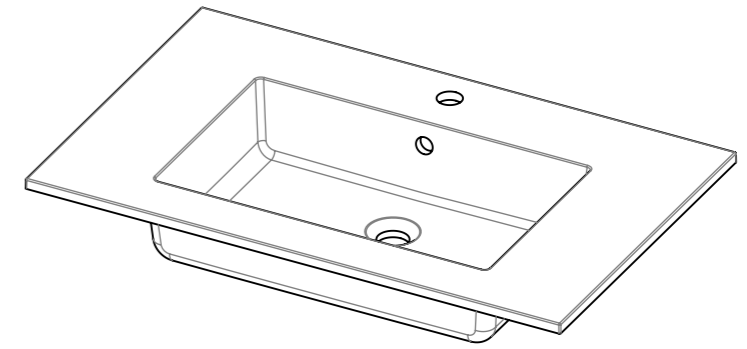
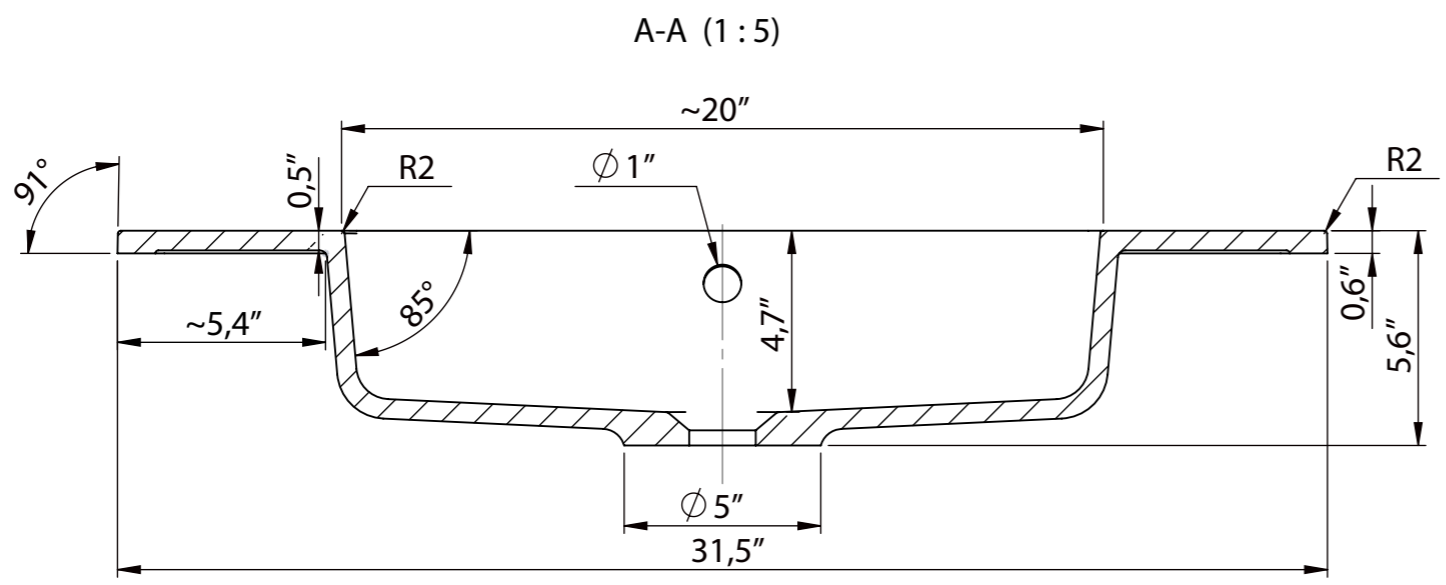


Rev	Design Change Note	Author	Date
001	Approved	ZP	2015-10-07



Tolerance total	length	+0,1"/0	Drawn by	Created Date	Checked by	Art. Name: LAURETTA NEW 800C				
	width	+0,08"/0	Zbigniew P	2015-10-07	Rafal B	Art. No: 6248370811xx		Mould No: FJ301081		
	height	+0,08"/-0,08"	Project status	Client		Customer ID: STD				
Tol. height side walls	≤1"	+0,04"/-0,04"	Approved	Hintex		Material volume	Overflow	Taphole	Main dimensions L x W / H	Drain
	>1"	+0,08"/-0,08"			0,3ft³	Yes	1	32" x 20" / 5,6"	Regular	
Tolerance holes location	+0,08"/-0,08"		<i>Mariolli</i>		Surface area	Sheet Size	Scale		Current revision	
Tolerance holes diameter	+0,04"/-0,04"				12ft²	A3	1:10			
Tolerance plane bending	+0,06"/-0,06"									

This document must not be copied without our written permission, and the contents thereof must not be imparted to a third party nor be used for any unauthorized purpose. Contravention will be prosecuted.